

FAN1538

Dual Channel 1A Low Dropout Linear Regulator with UVLO and Soft-start

Features

- Two independent outputs
- Load regulation: 0.05% typical
- Under-voltage lockout and softstart
- Over Temperature protection
- T0-252 DPAK, 5-lead SPAK packages
- Fixed 3.3V and adjustable or fixed 2.5V output

Applications

- Hard Disk Drives, CD-Roms
- Set-top Boxes
- ADSL line cards
- Motherboards with multiple supplies

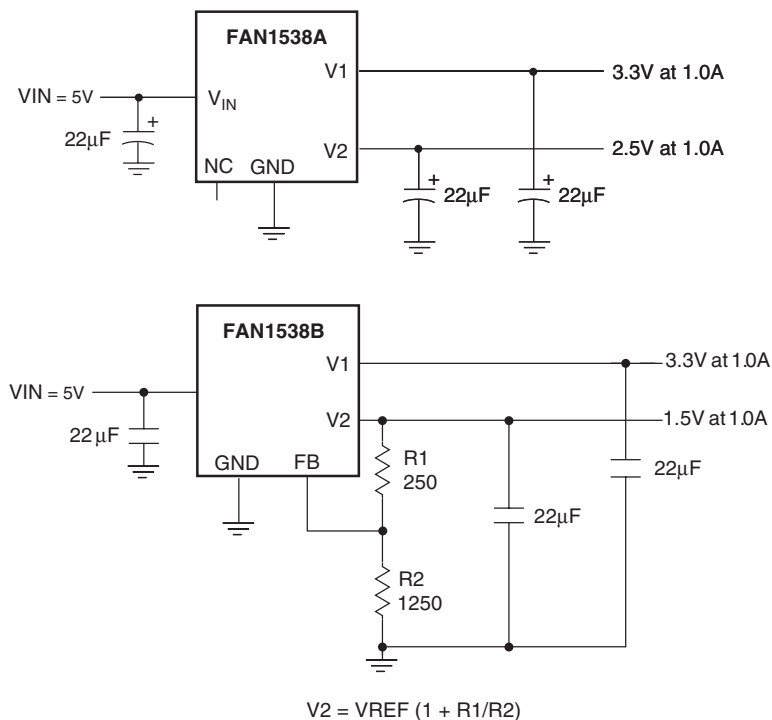
General Description

The FAN1538 provides two output voltages: a fixed 3.3V output and either a fixed 2.5V or adjustable output with 1A output current capability. Refer to Ordering Information for details.

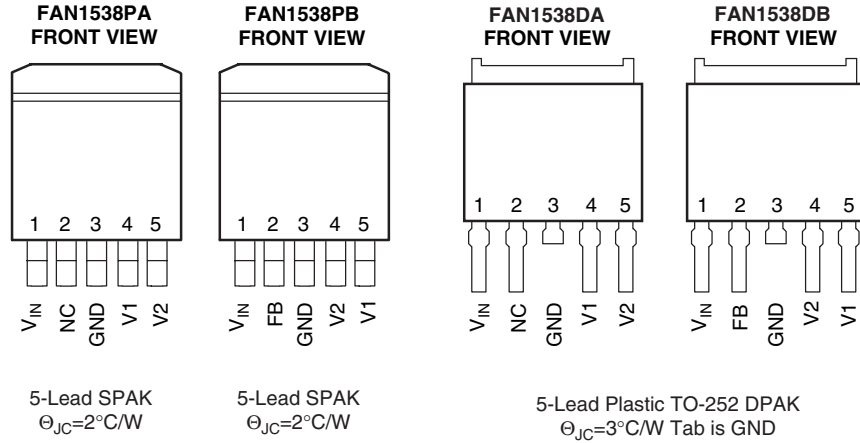
Current limit protects against short circuit currents and on chip over temperature circuitry limits the maximum die temperature.

Under voltage lockout and softstart circuitry protects against unregulated output voltages when the input voltage is below specification.

Block Diagram



Pin Assignments



Pin Descriptions

Pin Name	SPAK DPAK	Pin Function
V_{IN}	1	Input supply voltage
NC/FB	2	For V_2 fixed, no connect. For V_2 adjustable, feedback voltage.
V_1	4/5	Output #1
V_2	5/4	Output #2
GND	3	Ground

Absolute Maximum Ratings

Parameter	Min.	Max.	Units
V_{IN}		10	V
Storage Temperature Range	-65	150	$^{\circ}\text{C}$
Lead Soldering Temperature, 10 seconds		300	$^{\circ}\text{C}$

Recommended Operating Conditions

Parameter	Conditions	Min.	Typ.	Max.	Units
V_{IN}	V_{in} to GND	4.75	5	5.25	V
Ambient Operating Temperature (T_A)		0		125	$^{\circ}\text{C}$

Electrical Specifications

(Operating Conditions: VIN = 5V, TJ=25°C unless otherwise specified)

The • denotes specifications which apply over the full operating temperature range.

Parameter	Conditions		Min.	Typ.	Max.	Units
V1 Output Voltage	10mA ≤ Iout ≤ 1A 4.50V ≤ VIN ≤ 7V	•	3.234 3.200	3.300 3.300	3.366 3.400	V
V2 Output Voltage (FAN1538A)	10mA ≤ Iout ≤ 1A 4.50V ≤ VIN ≤ 7V	•	2.450 2.420	2.500 2.500	2.550 2.580	V
V2 Minimum Output Voltage (FAN1538B)	10mA ≤ Iout ≤ 1A 4.50V ≤ VIN ≤ 7V	•	1.400			V
Reference Voltage (FAN1538B) (FB)	10mA < Iout < 1A 4.50V ≤ VIN ≤ 7V	•	1.225 1.210	1.250 1.250	1.275 1.290	V
FB Pin Bias Current		•			1	µA
Line Regulation (Both Outputs)	4.50V ≤ VIN ≤ 7V Iout = 10mA	•		0.005	0.5	%
Load Regulation (Both Outputs)	VIN=5.0V 10mA ≤ Iout ≤ 1A	•		0.05	0.5	%
Current Limit (Both Outputs)	VIN = 5V		1.1	1.5		A
Minimum Load Current (Both Outputs)	4.50V ≤ VIN ≤ 7V	•	10			mA
Quiescent Current	VIN = 5V	•		6	15	mA
Ripple Rejection (Both Outputs)	F = 60Hz, Cout = 22µF VIN = 5V, Iout = 100mA		60			dB
Under-Voltage Lockout (See Diagram 1)						
VIN Rising threshold		•	3.4	3.8	4.2	V
VIN Falling threshold		•	3.0	3.3	3.6	V
V1 & V2 delay start time	VIN > UVLO Rising Threshold			150		µs
V1 softstart slew rate				250		µs/V
V2 softstart slew rate	R1 = 1250 & R2 = 250 ohms			550		µs/V
V1 & V2	VIN < 3.4	•			0.5	V
Thermal Shutdown						
Shut down Temperature				165		°C
Thermal hysteresis				40		°C

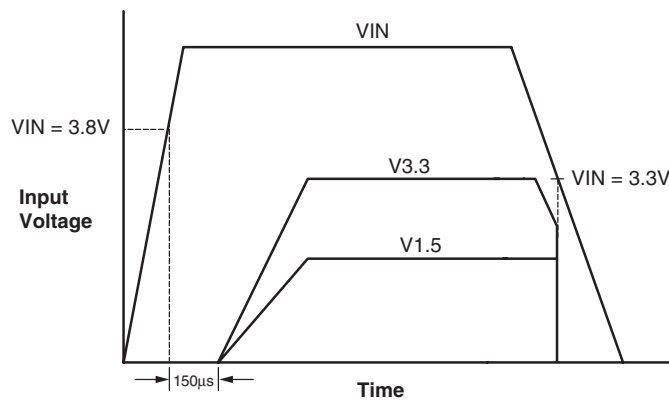
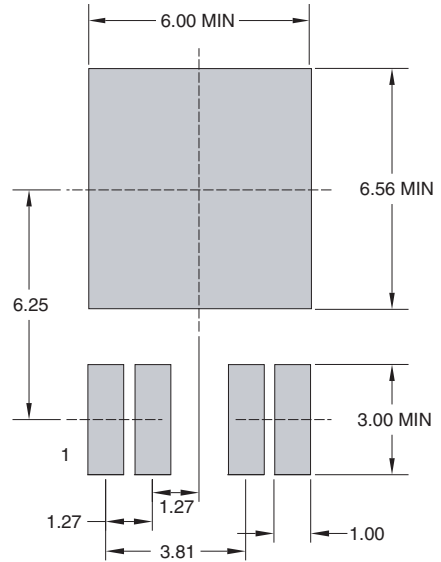
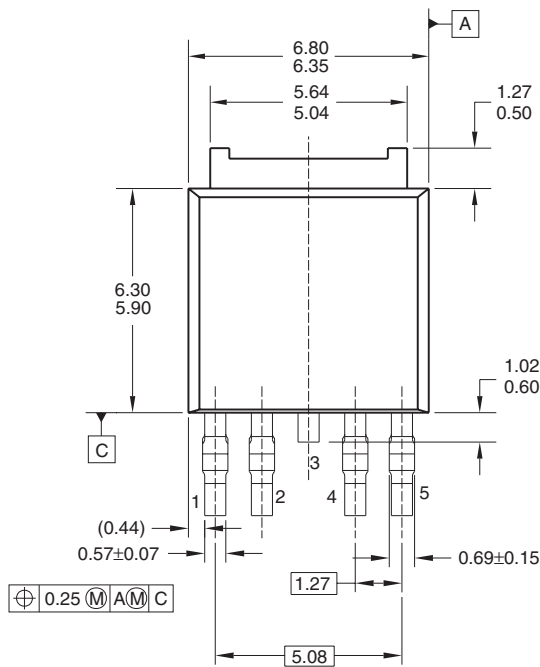


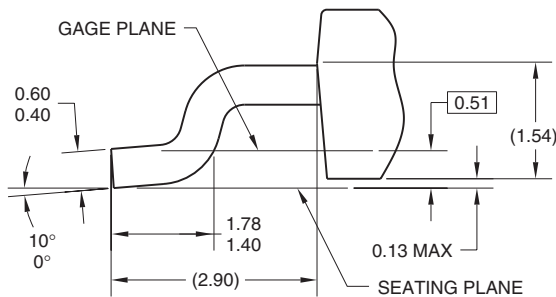
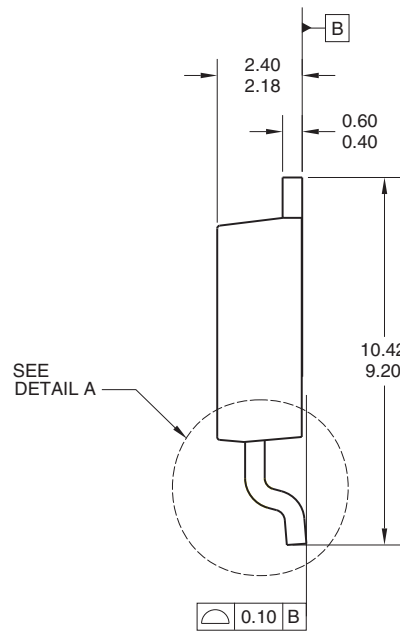
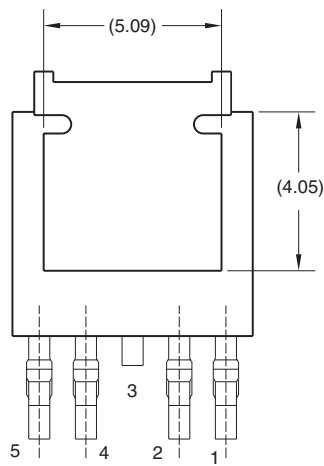
Diagram 1: UVLO and Softstart Timing

Mechanical Dimensions

TO-252 DPAK Package



LAND PATTERN RECOMMENDATION



DETAIL A
(ROTATED 90°)
SCALE: 2X

- NOTES: UNLESS OTHERWISE SPECIFIED
 A) ALL DIMENSIONS ARE IN MILLIMETERS.
 B) THIS PACKAGE CONFORMS TO JEDEC, TO-252, ISSUE C, VARIATION AA, DATED NOV. 1999.

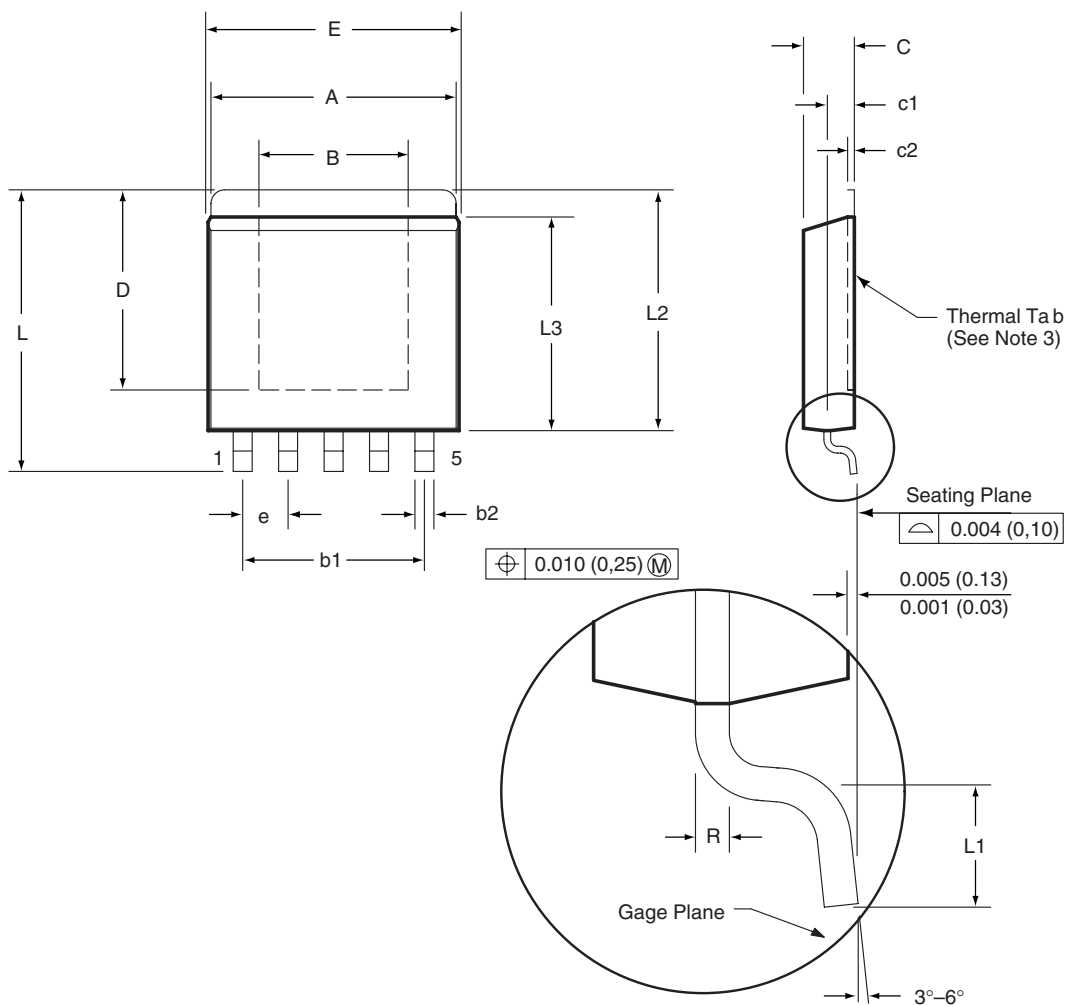
Mechanical Dimensions (continued)

5-Lead SPAK

Symbol	Inches		Millimeters		Notes
	Min.	Max.	Min.	Max.	
A	0.350	0.360	8.89	9.14	
B	0.220 NOM		5.59 NOM		
b1	0.268		6.81		
b2	0.025	0.031	0.63	0.79	
C	0.070	0.080	1.78	2.03	
c1	0.040	0.050	1.02	1.27	
c2	0.010 NOM		0.25 NOM		
D	0.295 NOM		7.49 NOM		
E	0.365	0.375	9.27	9.52	
e	0.067		1.72		
L	0.410	0.420	10.41	10.67	
L1	0.031	0.041	0.79	1.04	
L2	0.350	0.360	8.89	9.14	
L3	0.310	0.320	7.87	8.13	
R	0.010 NOM		0.25 NOM		
α	0°	8°	0°	8°	

Notes:

1. All linear dimensions are in inches (millimeters).
2. This drawing is subject to change without notice.
3. The center lead is in electrical contact with the thermal tab.
4. Dimensions do not include mold protrusions, not to exceed 0.006 (0,15).



Ordering Information

Part Number	Voltage Option	Package
FAN1538DBX	V1 = 3.3V, V2 = adj	5-Lead DPAK in Tape and Reel
FAN1538PBX	V1 = 3.3V, V2 = adj	5-Lead SPAK in Tape and Reel
FAN1538DAX	V1 = 3.3V, V2 = 2.5V	5-Lead DPAK in Tape and Reel
FAN1538PAX	V1 = 3.3V, V2 = 2.5V	5-Lead SPAK in Tape and Reel

DISCLAIMER

FAIRCHILD SEMICONDUCTOR RESERVES THE RIGHT TO MAKE CHANGES WITHOUT FURTHER NOTICE TO ANY PRODUCTS HEREIN TO IMPROVE RELIABILITY, FUNCTION OR DESIGN. FAIRCHILD DOES NOT ASSUME ANY LIABILITY ARISING OUT OF THE APPLICATION OR USE OF ANY PRODUCT OR CIRCUIT DESCRIBED HEREIN; NEITHER DOES IT CONVEY ANY LICENSE UNDER ITS PATENT RIGHTS, NOR THE RIGHTS OF OTHERS.

LIFE SUPPORT POLICY

FAIRCHILD'S PRODUCTS ARE NOT AUTHORIZED FOR USE AS CRITICAL COMPONENTS IN LIFE SUPPORT DEVICES OR SYSTEMS WITHOUT THE EXPRESS WRITTEN APPROVAL OF THE PRESIDENT OF FAIRCHILD SEMICONDUCTOR CORPORATION. As used herein:

1. Life support devices or systems are devices or systems which, (a) are intended for surgical implant into the body, or (b) support or sustain life, and (c) whose failure to perform when properly used in accordance with instructions for use provided in the labeling, can be reasonably expected to result in a significant injury of the user.
2. A critical component in any component of a life support device or system whose failure to perform can be reasonably expected to cause the failure of the life support device or system, or to affect its safety or effectiveness.

This datasheet has been downloaded from:

www.EEworld.com.cn

Free Download

Daily Updated Database

100% Free Datasheet Search Site

100% Free IC Replacement Search Site

Convenient Electronic Dictionary

Fast Search System

www.EEworld.com.cn