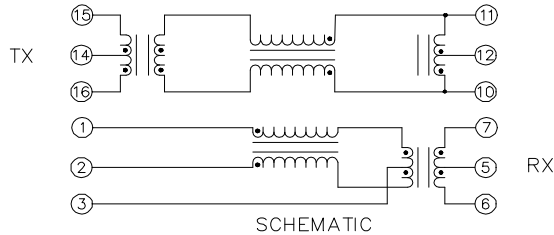


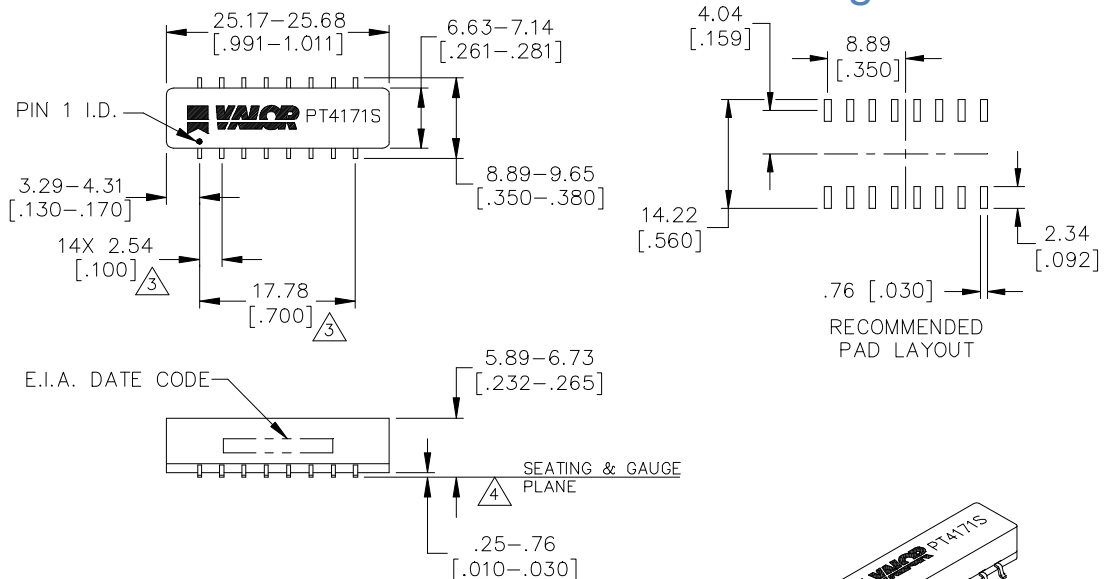
### Electrical Specification



#### ELECTRICAL SPECIFICATIONS @ 25°C

TYPE	TRANSMITTER	RECEIVER
INSERTION LOSS	: -1.0dB MAX (1 TO 60 MHz) : -2.0dB MAX @ 100 MHz : -3.5dB MAX @ 125 MHz	: -1.0dB MAX (1 TO 60 MHz) : -2.0dB MAX @ 100 MHz : -3.5dB MAX @ 125 MHz
RETURN LOSS (16-15) TO (10-11) 100 OHM TO 100 OHM	: -18dB MIN (1 TO 30 MHz) : -12dB MIN @ 60 MHz : -10dB MIN @ 80 MHz	: -18dB MIN (1 TO 30 MHz) : -12dB MIN @ 60 MHz : -10dB MIN @ 80 MHz
RETURN LOSS (16-14) TO (10-11) 25 OHM TO 100 OHM	: -17dB MIN (1 TO 10 MHz)	
COMMON MODE REJECTION	: -45dB MIN (1 TO 30MHz) : -35dB MIN (30 TO 100 MHz) : -9dB MIN (100 TO 500MHz)	: -45dB MIN (1 TO 30MHz) : -35dB MIN (30 TO 100MHz) : -9dB MIN (100 TO 500MHz)
CROSS TALK	: -35dB MIN (1 TO 80 MHz)	: -35dB MIN (1 TO 80MHz)
ISOLATION	: 1500VRMS (PRI-SEC)	: 1500VRMS (PRI-SEC)
OCL (REF) (16-15) OPEN 10,11	: 350μH MIN @100KHz, 100mV, 8mA	

### Mechanical Outline Drawing



- ④ COPLANARITY: .10 [.004].
  - ③ LEADS WITHIN .13 [.005] RADIUS OF TRUE POSITION AT GAUGE PLANE WITH MAXIMUM MATERIAL CONDITION AND UNIT INSTALLED.
  - 2. LEAD: SOLDERABILITY PER MIL-STD-202, METHOD 208.
  - ① CASE: BLACK PLASTIC SELF-EXTINGUISHING PER UL94V-0.
- NOTES: UNLESS OTHERWISE SPECIFIED