

# B5 SERIES SP2T DC - 12.4 GHz



<b>FREQUENCY:</b> GHz	DC - 2.0	2.0 - 4.0	4.0 - 8.0	8.0 - 12.4
<b>VSWR (MAX.)</b>	1.20:1	1.30:1	1.40:1	1.50:1
<b>INSERTION LOSS (MAX.)</b>	0.20	0.30	0.40	0.50
<b>ISOLATION (MIN.)</b>	80	70	70	60
<b>IMPEDANCE</b>	50 Ohms			

**MECHANICAL**

CONTACT : BREAK BEFORE MAKE  
ACTUATOR : FAILSAFE, LATCHING, MOMENTARY  
 SWITCHING SPEED : 20mSEC MAX.

**ELECTRICAL**

ACTUATOR VOLTAGE : 28.0, 12.0, 15.0, 24.0 Vdc  
 ACTUATOR CURRENT : CONTACT CEI  
 POWER HANDLING : 350 WCW @ 1.0 GHz (STANDARD)  
 : 950 WCW @ 1.0 GHz (OPT./P)

**ENVIRONMENTAL**

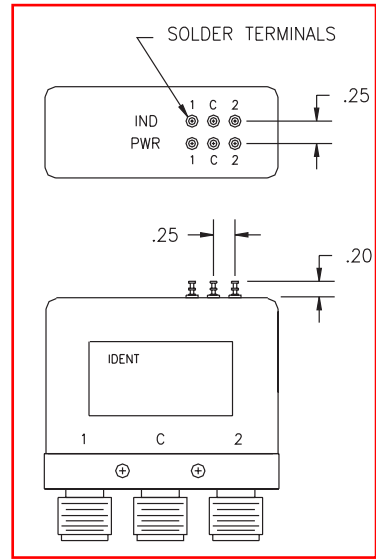
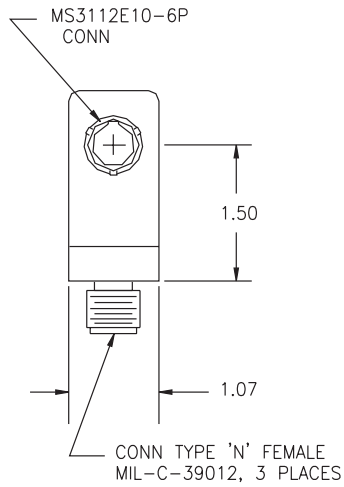
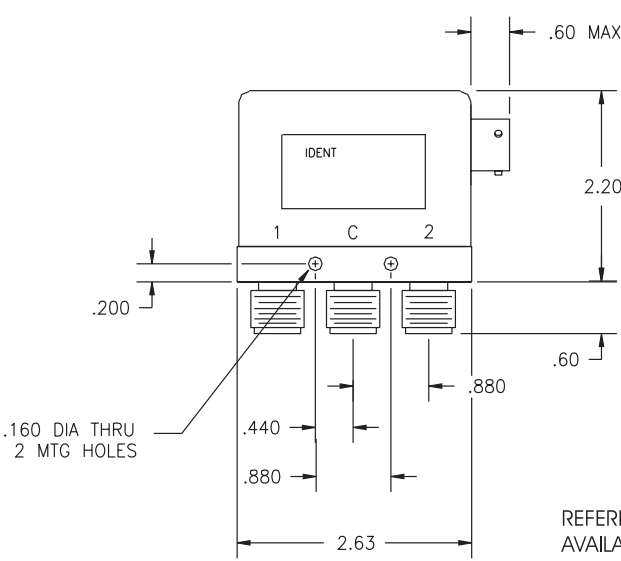
OPERATING TEMP : -40 DEG. C TO 90 DEG. C (STANDARD)  
 : -54 DEG. C TO 90 DEG. C (OPT./MS) \*\*  
SINE VIBRATION : 30 G'S ms  
RANDOM VIBRATION : 20 G'S ms  
LIFE : 1,000,000 CYCLES

**FINISH**

RF CAVITY : ALUMINUM ELECTROLESS NICKEL PLATED  
 PER MIL-C-26074, CLASS 4  
 (EXCEPT LOW OR ULTRA LOW IM MODELS)  
 ENCLOSURE : ALUMINUM, BLACK OR BLUE  
 CONTACT : BERYLLIUM COPPER, GOLD PLATED  
 PER MIL-G-45204  
 CONNECTOR SHELL : CRES, PASSIVATED PER QQ-P-35 OR BRASS,  
 ELECTROLESS NICKEL PLATED  
 PER MIL-C-26074

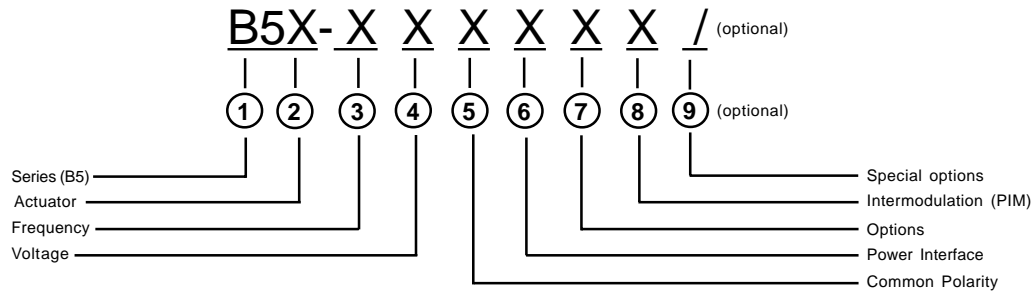
**AVAILABLE OPTIONS**

INDICATOR CIRCUITRY : CUT OFF POWER CIRCUIT  
 SUPPRESSION DIODE : MS CONNECTOR OR EQUIV. (MIL-SPEC)  
 TTL LOGIC : D'SUB MINIATURE SERIES  
 LOW, ULTRA LOW, AND SUPERIOR INTERMODULATION (IM)



REFERENCE FOR DIMENSIONS ONLY  
 AVAILABLE WITH SOLDER TERMINALS, D'SUB OR MS CONNECTOR

## B5 SERIES PART NUMBER &amp; ORDERING INFORMATION

**1 - Switch Series**

B5 SPDT TYPE N

**2 - Actuator**

F	FAILSAFE	R	MOMENTARY
G	FAILSAFE WITH SUPPRESSION DIODE	S	MOMENTARY WITH SUPPRESSION DIODE
H	FAILSAFE WITH INDICATOR	T	MOMENTARY WITH INDICATOR
J	FAILSAFE WITH SUPPRESSION DIODE AND INDICATOR	U	MOMENTARY WITH SUPPRESSION DIODE AND INDICATOR
L	LATCHING	Y	OTHER (SPECIFY)
M	LATCHING WITH SUPPRESSION DIODE		
N	LATCHING WITH INDICATOR		
P	LATCHING WITH SUPPRESSION DIODE AND INDICATOR		

**3 - Frequency Bandwidth**

1	DC - 13.0 GHz
2	DC - 2.0 GHz
3	DC - 12.4 GHz
<u>4</u>	<u>DC - 4.0 GHz</u>
6	DC - 6.0 GHz

**4 - Voltage**

1	10 - 14 Vdc (12.0 NOMINAL)	<u>4</u>	<u>24 - 32 Vdc (28.0 NOMINAL)</u>
2	13 - 18 Vdc (15.0 NOMINAL)	5	OTHER
3	20 - 30 Vdc (24.0 NOMINAL)	0	NOT REQUIRED

**5 - Common Polarity**

1	POSITIVE (+) COMMON
2	NEGATIVE (-) OR RETURN V <sub>dc</sub> COMMON
<u>0</u>	<u>NOT REQUIRED</u>

**6 - Power Interface**

<u>1</u>	<u>SOLDER TERMINAL (TOP OF SWITCH)</u>	6	D' SUB MINIATURE SERIES (SIDE OF SWITCH)
4	CONN MS3112E-XX-XXP OR EQUIV. (SIDE OF SWITCH)	8	OTHER

**7 - Options**

1	CUT OFF POWER CIRCUIT (LATCHING ONLY)	8	OTHER (SPECIFY)
2	TTL LOGIC	9	CUSTOM (ORDER)
3	CUT OFF PWR CIRCUIT & TTL LOGIC (LATCHING ONLY)	<u>0</u>	<u>NO OTHER OPTIONS REQUIRED</u>

**8 - Intermodulation**

7	LOW PASSIVE INTERMODULATION	9	ULTRA LOW PASSIVE INTERMODULATION
8	SUPERIOR PASSIVE INTERMODULATION	<u>0</u>	<u>STANDARD SWITCH</u>

**9 - Special Options (optional - leave blank if not required)**

/P	HIGH TEMP, HIGH POWER CONNECTOR
/MS	EXTENDED TEMP RANGE -54 DEG C TO + 90 DEG
/MSP	HIGH TEMP, HIGH POWER CONNECTOR AND EXTENDED TEMP RANGE