



Service Information

Family/Jet Chef Microwave oven AVM 437 WH

8538 437 22291

Last Modification: 06/07/08

Creation Date: 06/07/08

Spare Part List	2
Technical Data	4
Exploded View	5
Wiring Diagram	6
Closure Diagram	7

This document is only intended for qualified technicians who are aware of the respective safety regulations.
Subject to modifications

Spare Part List

Pos	12NC	Description
002 0	4819 440 59448	Cabinet WH
002 1	4819 442 38357	Plate lower mica plate
002 2	4819 440 59444	Plate upper mica plate
013 0	4819 462 79423	Foot
041 0	4819 417 19514	Hinge upper
041 1	4819 417 19248	Hinge lower
100 0	4819 442 38713	Door cpl.
120 0	4819 440 59865	Door inner
120 1	4819 459 48654	Door frame inner
130 0	4819 271 38148	Unit,pushbutton
130 1	4819 466 89172	Clip slide block
130 2	4819 404 78492	Lever for microswitch
141 0	4819 450 58106	Glass door out
143 0	4819 459 48655	Door frame outer WH
245 0	4819 466 98731	Stand optional
246 0	4819 418 38386	Plate
246 1	4819 498 69875	Grip crisp plate
255 0	4819 466 78218	Turntable glass
264 0	4819 535 78131	Turntable
320 0	4819 453 58572	Control panel
332 0	4819 410 28881	Button assy stop-start WH
332 1	4819 410 28882	Button,push ,clock WH
334 0	4819 413 59051	Knob feature/power WH
334 1	4819 413 59052	Knob timer WH
334 2	4819 492 58141	Spring
352 0	4819 130 38081	Display
352 1	4819 450 58107	Glass panel display
352 2	4819 466 99101	Protector
355 0	4819 280 18033	Buzzer
404 0	4819 131 58019	Magnetron
404 2	4819 462 38666	Air guide Magnetron
406 0	4819 361 18292	Motor for rotary plate
406 2	4819 532 68686	Gasket ring for TT
411 0	4819 148 68085	Transformer
412 0	4819 145 78201	Transformer,HT
412 1	4819 462 38766	Guide
420 0	4819 121 48016	Capacitor HT
420 1	4819 404 78491	Holder
420 2	4819 325 18036	Insulation
421 0	4819 121 18197	Filter mains
442 0	4819 361 18425	Motor
443 0	4819 515 48059	Fan
462 1	4819 218 38038	Diode HV
485 0	4819 320 28037	Cable HT
490 0	4819 321 18285	Cable mains
502 0	4819 214 78573	Control unit
502 2	4819 113 88001	Resistor 100 Ohm
502 3	4819 101 48146	Potentiometer
502 4	4819 209 88054	Microprocessor
502 5	4819 101 48142	Potentiometer

Pos	12NC	Description
561 0	4819 282 48274	Thermostat 125C
564 0	4819 282 48248	Thermostat 165 C
617 0	4819 280 68321	Relay
622 0	4819 276 18273	Switch VKS
633 0	4819 271 38145	Microswitch
651 0	4819 134 28029	Lamp cavity 240V - 25W
971 0	4819 252 28122	Fuse T8A
972 0	4819 252 28121	Fuse T100mA

Technical Data

Dimensions + Weight

Product dimensions	
Height	227 mm
Width	525 mm
Depth	338 mm
Cavity dimensions	
Height	210 mm
Width	340 mm
Depth	290 mm
Volume	20 l
Turntable diameter	280 mm
Weight	
net	16,8 Kg
Gross	17,5 Kg

Electrical base data

Voltage	230 V
Frequency	50 Hz
Microwave	
Frequency	2450 MHz
Current consumption	7 A
Fuse	10 A

Power Consumption

.....	1600 W
Output power	900 W

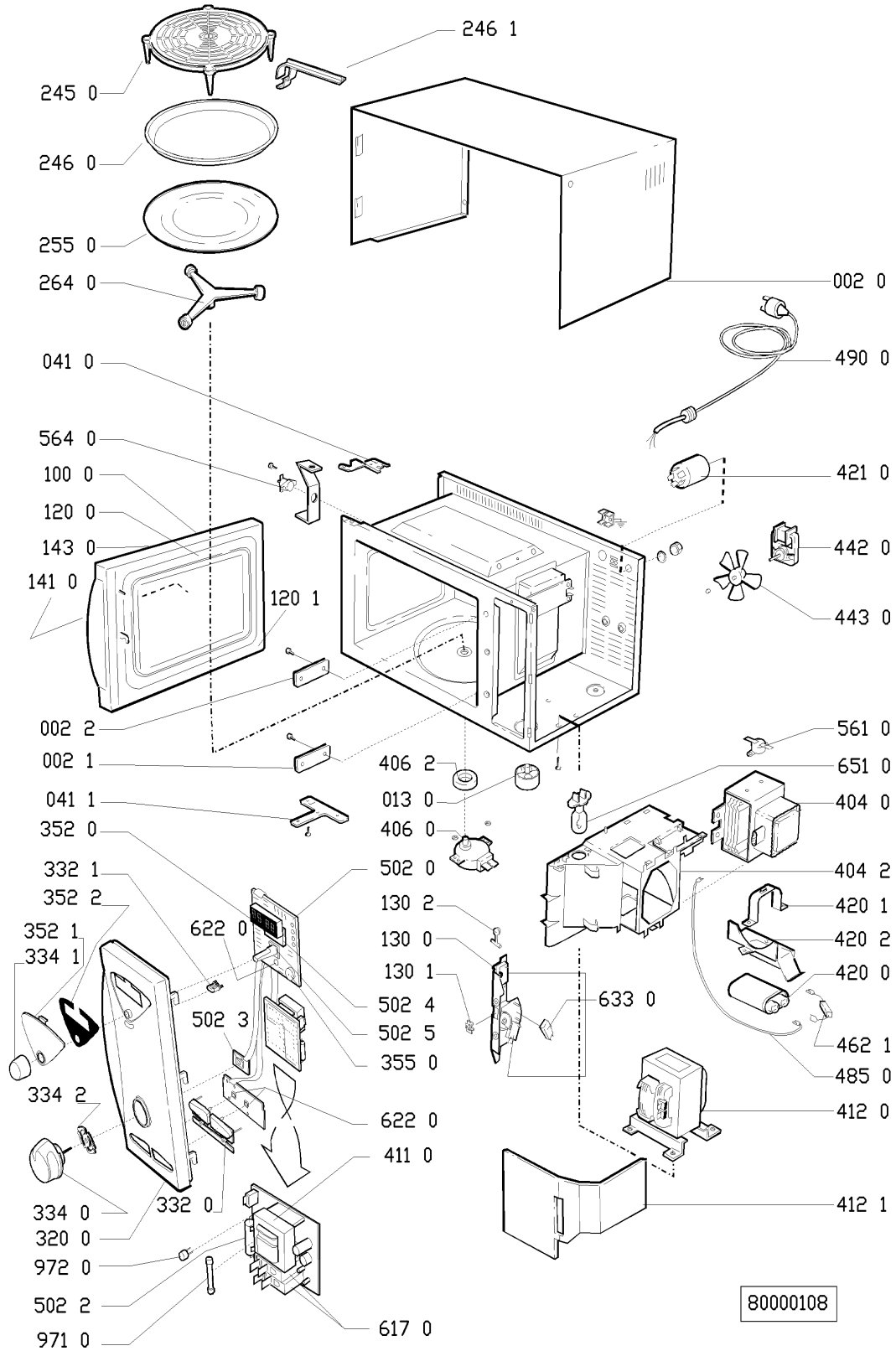
Timer

.....	90 min
-------	--------

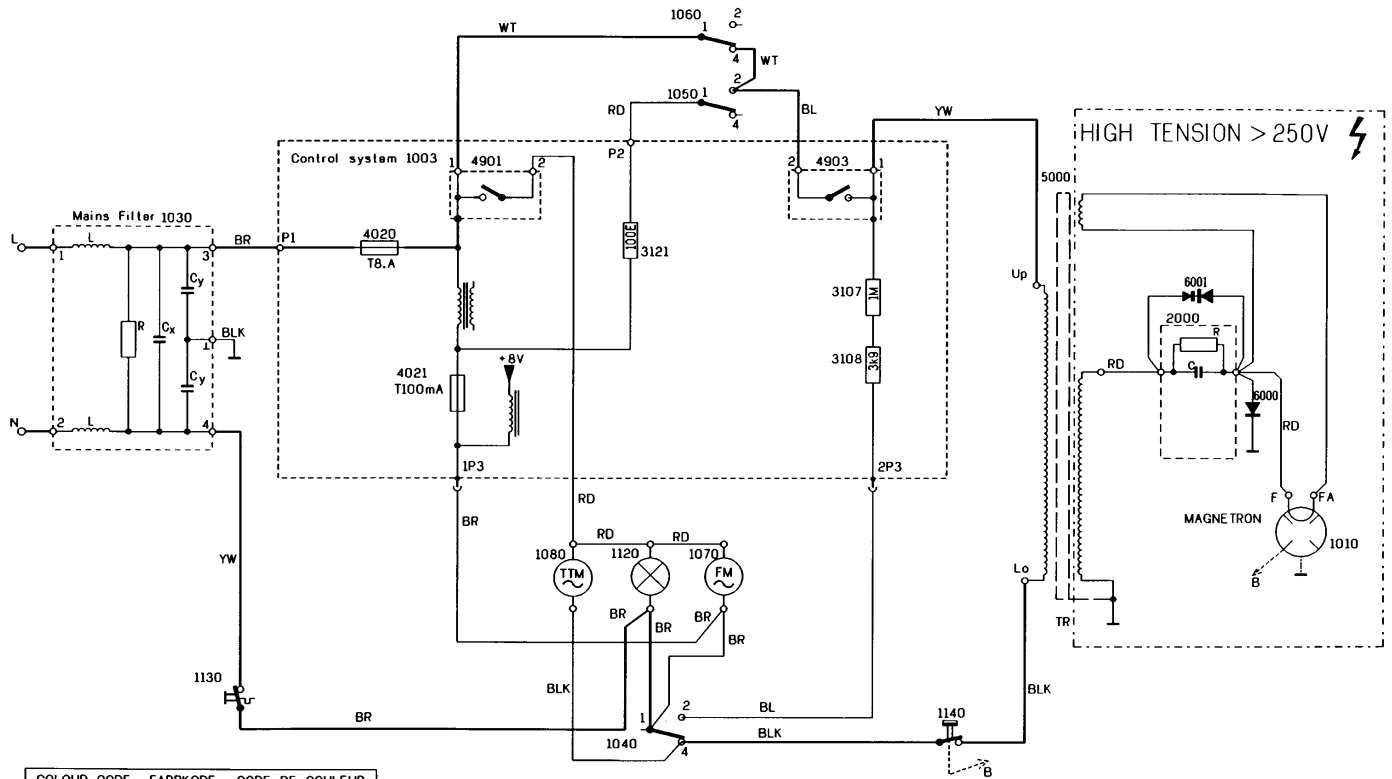
Accessories

Built in kit (optional)

Exploded View



Wiring Diagram



COLOUR CODE	FARBKODE	CODE DE COULEUR
YW	YELLOW	GELB JAUNE
WT	WHITE	WEISS BLANC
RD	RED	ROT ROUGE
GY	GREY	GRAU GRIS
BR	BROWN	BRAUN BRUN
BLK	BLACK	SCHWARZ NOIR
BL	BLUE	BLAU BLEU

1040=Secondary doorswitch
1050=Monitor doorswitch
1060=Primary doorswitch

OVEN IN OFF POSITION
WHITH DOOR CLOSED
HERD ABGESCHATET
TUR GESCHLOSSEN
FOUR DEBRANCHE
PORTE FERME

Up= Upper contact Primary winding HT-transformer
Lo= Lower contact Primary winding HT-transformer

8538 434 31291

